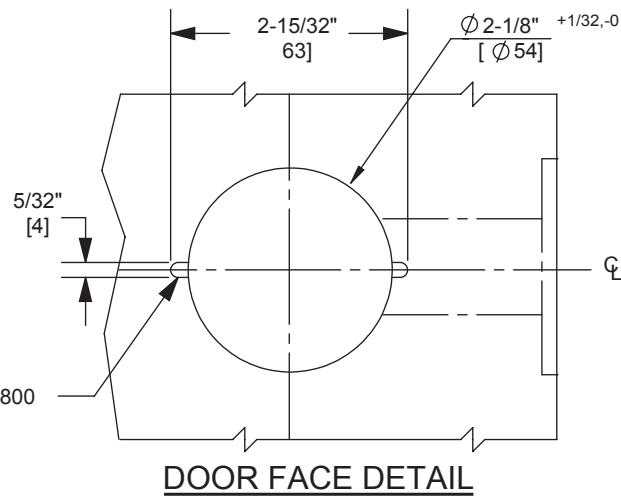
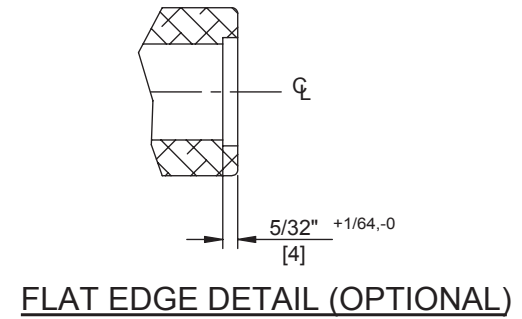
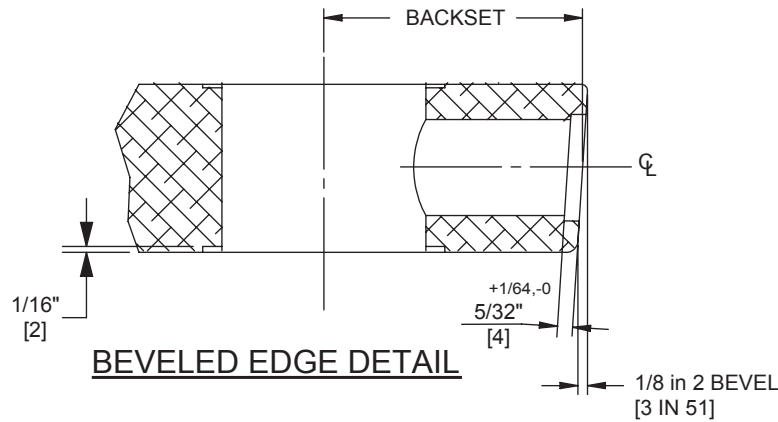
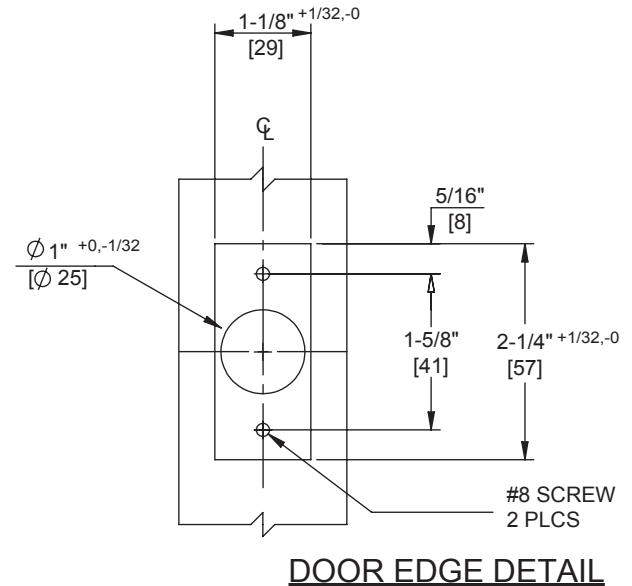


NOTES:

1. DIMENSIONS ARE IN INCHES/[MM]
2. DO NOT SCALE DRAWING.



NOTES:  
NOTCHES ARE NOT  
REQUIRED FOR DB600 & D800



NOT TO SCALE. MEASUREMENTS ARE FOR REFERENCE ONLY. NOT A DRILLING TEMPLATE.

WOOD DOOR FOR:  
DB100 SERIES  
FACE PLATE 1-1/8" FLAT OR BEVELED

